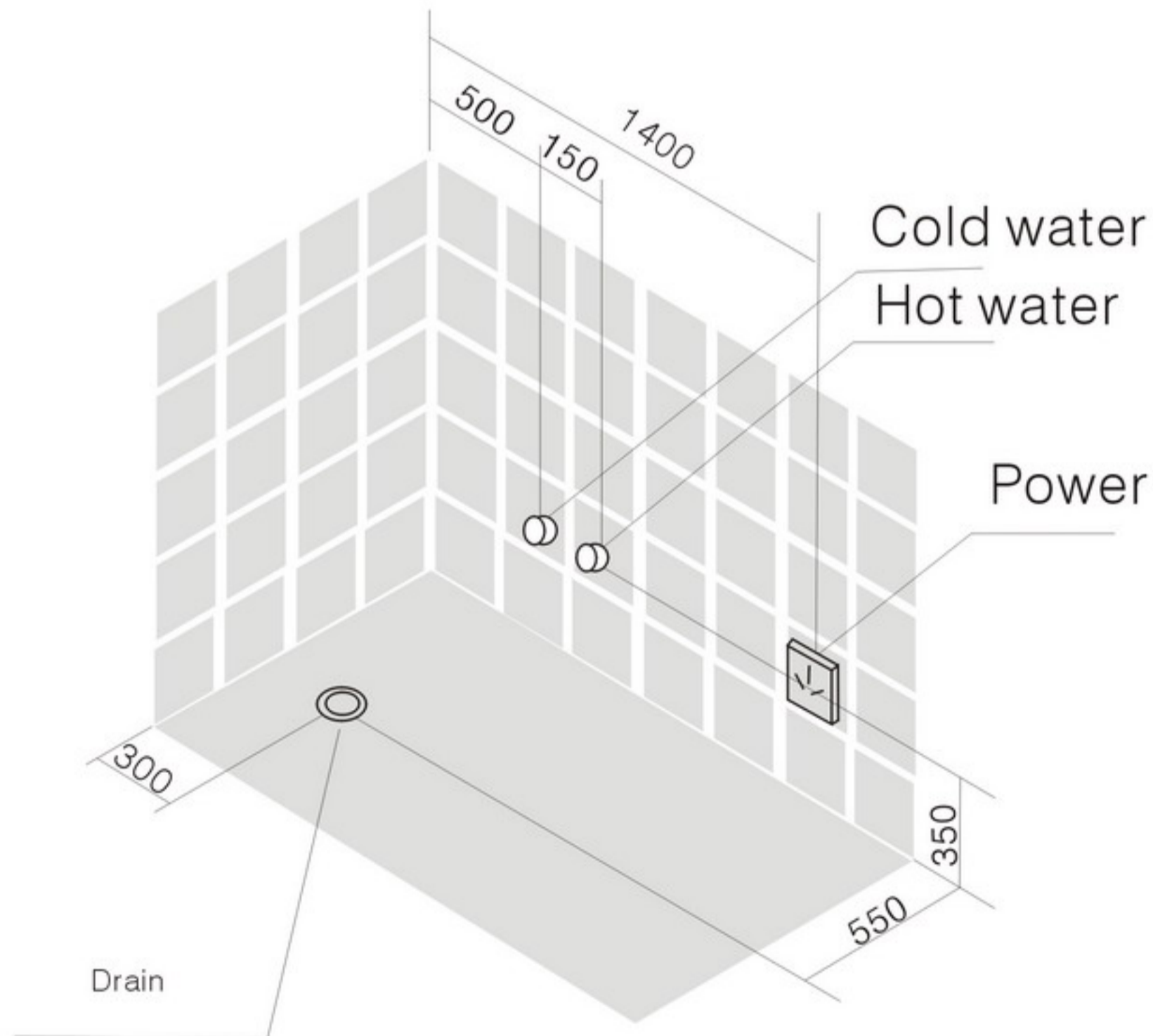


Installation Instruction

1. Water: It needs two water-galvanized pipes. One is for cold water, the other for hot water. And they should be set on wall, 350mm above from ground. And a device for cutting water should be placed on wall.

2. Power: The power should be 220V/50Hz, single-phase, 10Amp. The socket should be waterproof, which is designed especially for bathroom and it should be placed 350mm above of ground.

3. Drain: The drain-pipe, which radius is within 0 to 40mm, should be set on at the centre of the drain. (According to the diagram)



SIZE: 1600X880X640

- 1、Water circulation net
- 2、Enter water faucet
- 3、Shower head
- 4、Water supply temperature switch
- 5、Convert switch
- 6、Water supply switch
- 7、Drain machine
- 8、Gas drive pump switch
- 9、Air convert switch
- 10、Arm-rest
- 11、Massage spray mouth
- 12、Sweet dream pillow

